



## UNILED SL DC

Strong, sensitive, pleasant

The UNILED SL DC not only creates a pleasant, motivating lighting atmosphere at system workstations. Thanks to its matt cover, the LED workstation light generates homogeneous, glare-free and shadow-free illumination with a strong light output. The UNILED SL DC is the first choice when a system light with a 24V DC connection and UL/CSA certificate is required.

### The Technology

- Robust aluminium housing with integrated mounting for horizontal installation
- Heat is dissipated to the rear via aluminium base bodies

### Your benefits

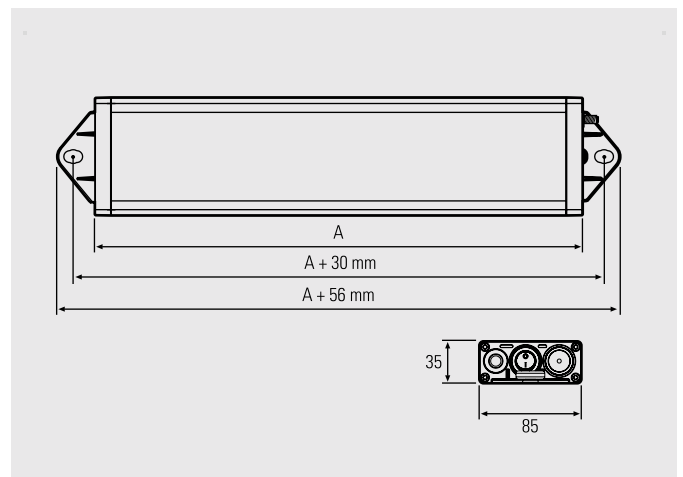
- Creates a pleasant atmosphere through daylight white 5,200-5,700 K
- Homogeneous, low-shadow, glare-free illumination

### Areas of application

- System and assembly workstations, test/inspection workstations
- Can be used in machines without coolant and chip bombardment
- Assembly lines

### Designs

- Four different powers: 15 W, 24 W, 48 W, 72 W
- Four lengths: 295 mm, 595 mm, 1045 mm, 1545 mm
- Special version: with dimming via button in the housing





UNILED SL DC, 5200–5700K	Product no.	Length (A)	Optics	$E_{max}^*$	Lamp luminous flux	Output	Connection
UNILED SL DC, cover opal white	110914-11	295 mm	100°	501 lx	1617 lm	~15 W	24V DC
UNILED SL DC, cover opal white	110914-12	545 mm	100°	966 lx	3217 lm	~24 W	24V DC
UNILED SL DC, cover opal white	110914-13	1045 mm	100°	1705 lx	6417 lm	~48 W	24V DC
UNILED SL DC, cover opal white	110914-14	1545 mm	100°	2180 lx	9634 lm	~72 W	24V DC
UNILED SL DC, microprism covers	110914-21	295 mm	100°	605 lx	1617 lm	~15 W	24V DC
UNILED SL DC, microprism covers	110914-22	545 mm	100°	1171 lx	3217 lm	~24 W	24V DC
UNILED SL DC, microprism covers	110914-23	1045 mm	100°	2086 lx	6417 lm	~48 W	24V DC
UNILED SL DC, microprism covers	110914-24	1545 mm	100°	2680 lx	9634 lm	~72 W	24V DC

Power supply, dimmboxes and connection materials, see Accessories.

\* maximum lighting intensities, measurement area 100 cm x 100 cm at 100 cm distance

Accessories	Product no.
UNILED joint angle, 1 pair	213200-02

