



**NEW** CENALED LENS Flexarm  
Making small objects in a big way

The variable light CENALED LENS Flexarm brings out even tiny details in a very big way! Magnifying light with lens for double magnification and an articulated goose neck that keeps the light head firmly in place when aligned. The magnification area beneath the lens is perfectly illuminated. These magnifying lamp can also be used as simple workplace lighting thanks to its outstanding illumination intensity. A lens cover is provided for this purposes which can be conveniently attached to the articulated arm when used as a magnifier.

**Technology**

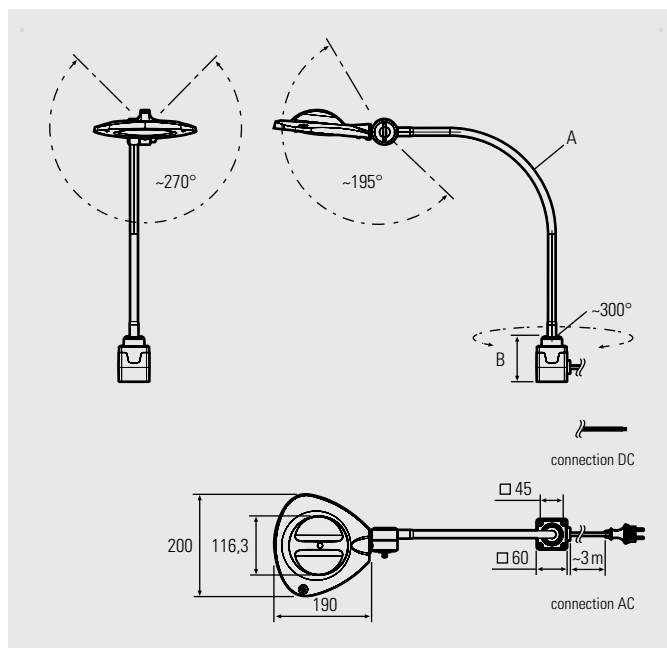
- High-power LED ring for daylight white
- 4 dpt glass lens, focal length 250 mm
- On/off and dimming switch on the luminaire head
- High-quality 500 mm goose neck – articulated, tested for 20,000 bending cycles and fitted with an oil-resistant sheath
- Available as a 24V DC variant or for direct connection to 100–305V AC, each with a 3 m power cord

**Your benefits**

- Compact magnifying light for object magnification and illumination of the magnification area with crisply sharp details
- Infinitely adjustable, articulated arm for precise positioning
- Beam angle of 120° and opal white glare control

**Areas of application**

- Manual and testing workstations
- Workstations at machines and systems



## Flexible, movable arm | CENALED LENS Flexarm

Magnetic lens cover



CENALED LENS Flexarm	Product no.	Length of arm (A)	Base (B)	Optics	$E_{max}^*$	Lamp luminous flux	Output	Connection
CENALED LENS Flexarm DC, screw-on base	121110-01	500 mm	59 mm	120°	4051 lx	1277 lm	~8,4 W	24V DC
CENALED LENS Flexarm AC, screw-on base	121110-11	500 mm	88 mm	120°	4051 lx	1277 lm	~9 W	100-305V AC

PSU and connection materials, see Accessories.

\* maximum illumination intensity at 250 mm distance

Accessories	Product no.
Holding magnet for CENALED screw-on base	220500-01
Table clamp for CENALED screw-on base	220500-02
Wall bracket for CENALED screw-on base	220500-03

The LED light CENALED LENS Flexarm is part of the CENALED modular system. The basic module of every light is the screw-on base for a 24V DC or 100-305V AC connection. Here, the modular unit comes fitted with a luminaire head and magnifier with a flexible goose neck. The luminaire head is equipped with an on/off switch and brightness control (dimming).

The screw-on base enables a variety of mounting options. For instance, a strong magnet, table clamp or wall bracket can all be fitted.

