



LENSLED II

Elegant, precise, powerful

The LENSLED II is the magnifying lamp par excellence. Developed for stationary use at assembly or control workstations, the LED light with its magnifying lens can be positioned as desired thanks to the aluminium spring arm. The extremely scratch-resistant lens is made of glass and offers 1.85x magnification. The high-intensity illumination of the magnification area is free of shadows and glare, and the luminous intensity can be adjusted via infinitely variable dimming.

The Technology

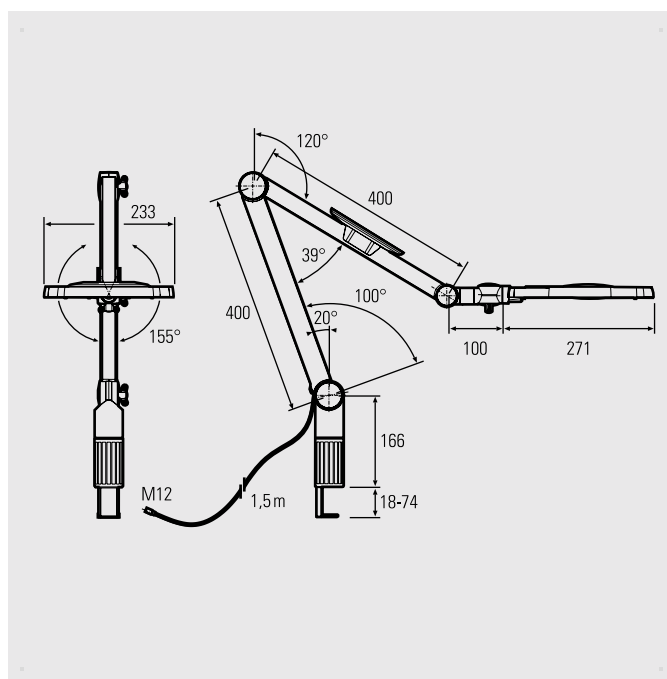
- Aluminium spring arm, 3D head joint
- Head and spring arm can be pivoted and locked in position
- Glass loupe with illuminated field of view, lens \varnothing 160 mm, 3.5 dpt, focal length 286 mm, extremely scratch-resistant
- Variant as biconvex lens with additional recessed bifocal \varnothing 31.5 mm, 8 dpt, focal length 80 mm

Your benefits

- Bright, glare-free and flicker-free illumination
- Infinitely variable dimming with memory function
- Universal power supply unit and table clamp included
- Cover for the lens
- Optional accessories for various mounting options:
e.g. wall bracket or bracket for T-slot profiles

Areas of application

- Assembly and inspection workstations, manual workplaces in the goldsmith, dental laboratory and watchmaking.
- Testing/inspection stations on machines



Articulated arm | LENSLED II



LENSLED II articulated arm	Product no.	Length of arm (A)	Optics	E _{max} *	Lamp luminous flux	Output	Connection
LENSLED II, 3,5 dpt., dimmable	120810-11	800 mm	120°	3821 lx	1570 lm	~15 W	24V DC**
LENSLED II, 3,5 dpt.+ 8 dpt., dimmable	120810-12	800 mm	120°	3821 lx	1570 lm	~15 W	24V DC**

** including power supply 110-240 V and table clamp

* maximum lighting intensity, 286 mm distance

Accessories	Product no.
Wall bracket for lights with an articulated arm	215100-01
Adapter for T-slot profile for lights with an articulated arm	215200-01
Screw-on base for lights with an articulated arm, plastic screws included	215400-01
Adapter for lights with an articulated arm, aluminium (for existing screw-on dimensions 60 x 60 mm on LED2WORK)	215400-02

