



UNILED II

Ergonomic, efficient, wide-ranging

The UNILED II table lamp with an articulated arm is the logical further development of its predecessor. A high-quality aluminium spring arm, 2 different light colours and power levels as well as flicker-free illumination and infinitely variable dimming are the quality features of this light. With up to 3200 lx at a distance of 500 mm, it provides the right light for every workplace and every visual task.

The Technology

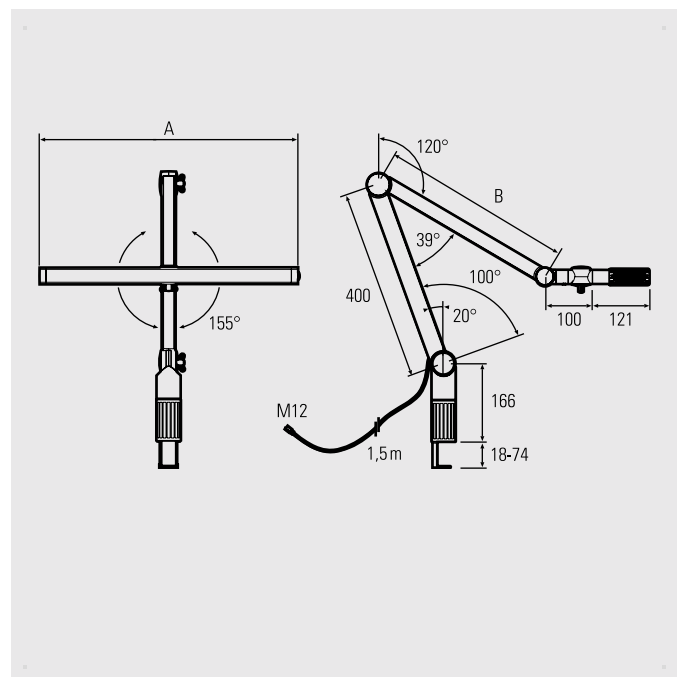
- Aluminium spring arm, 3D head joint
- Head and articulated arm can be pivoted and locked in any position
- Aluminium head with rear heat dissipation

Your benefits

- Excellent ergonomic handling
- Homogeneous shadow-free and glare-free illumination
- Variants with infinitely variable dimming and memory function in a light

Areas of application

- For assembly and inspection workstations, manual workplaces in the goldsmith, dental laboratory and watchmaking sectors



Articulated arm | UNILED II



variants

24V DC, IP40, ≥ 85 , 5200K-5700K, 4000K-4500K, 60.000h (L80/B10), M12, 3m, +60/-10, VARIANTS, 36 months, Germany, PSU 110V-240V AC

| UNILED II, articulated arm, 5200-5700K | Product no. | Width head (A) | Arm (B) | Optics | E_{max}^* | Lamp luminous flux | Output | Connection |
|--|-------------|----------------|---------|--------|-------------|--------------------|--------|------------|
| UNILED II | 120610-01 | 298 mm | 400 mm | 100° | 1905 lx | 1617 lm | ~14 W | 24V DC** |
| UNILED II, dimmable | 120610-02 | 298 mm | 400 mm | 100° | 1905 lx | 1617 lm | ~14 W | 24V DC** |
| UNILED II | 120710-01 | 548 mm | 400 mm | 100° | 3360 lx | 3217 lm | ~27 W | 24V DC** |
| UNILED II, dimmable | 120710-02 | 548 mm | 400 mm | 100° | 3360 lx | 3217 lm | ~27 W | 24V DC** |

| UNILED II, articulated arm, 5200-5700K | Product no. | Width head (A) | Arm (B) | Optics | E_{max}^* | Lamp luminous flux | Output | Connection |
|--|-------------|----------------|---------|--------|-------------|--------------------|--------|------------|
| UNILED II Watchmaker | 120910-01 | 380 mm | 250 mm | 100° | 2563 lx | 2139 lm | ~19 W | 24V DC** |
| UNILED II Watchmaker, dimmable | 120910-02 | 380 mm | 250 mm | 100° | 2563 lx | 2139 lm | ~19 W | 24V DC** |

| UNILED II, articulated arm, 4000-4500K | Product no. | Width head (A) | Arm (B) | Optics | E_{max}^* | Lamp luminous flux | Output | Connection |
|--|-------------|----------------|---------|--------|-------------|--------------------|--------|------------|
| UNILED II | 120720-01 | 548 mm | 400 mm | 100° | 2720 lx | 3217 lm | ~26 W | 24V DC** |
| UNILED II, dimmable | 120720-02 | 548 mm | 400 mm | 100° | 2720 lx | 3217 lm | ~26 W | 24V DC** |

** including power supply 110-240V and table clamp

* maximum lighting intensities, measurement area 100 cm x 100 cm at 50 cm distance

| Accessories | Product no. |
|---|-------------|
| Wall bracket for lights with an articulated arm | 215100-01 |
| Adapter for T-slot profile for lights with an articulated arm | 215200-01 |
| Screw-on base for lights with an articulated arm, plastic screws included | 215400-01 |
| Adapter for lights with an articulated arm, aluminium (for existing screw-on dimensions 60 x 60 mm on LED2WORK) | 215400-02 |
| Additional magnifier UNILED II, 3.39 dpt. | 215500-01 |



Illustrations of accessories on UNILED II TUNABLE WHITE