



UNILED SL AC

Bright and motivating light

The UNILED SL AC is structurally identical to the UNILED SL, but is connected directly to a 230V AC network. The LED light can easily be used as an under-cabinet light and table light at workbenches, control workstations or in the laboratory. The UNILED SL AC illuminates work areas with a pleasant, motivating light. The light scattering is increased by more than 25% via the microprismatic glare control.

The Technology

- Powerful LED technology with a shatterproof micro prismatic cover and 230V AC connection
- Profiled aluminium body ensuring heat dissipation

Your benefits

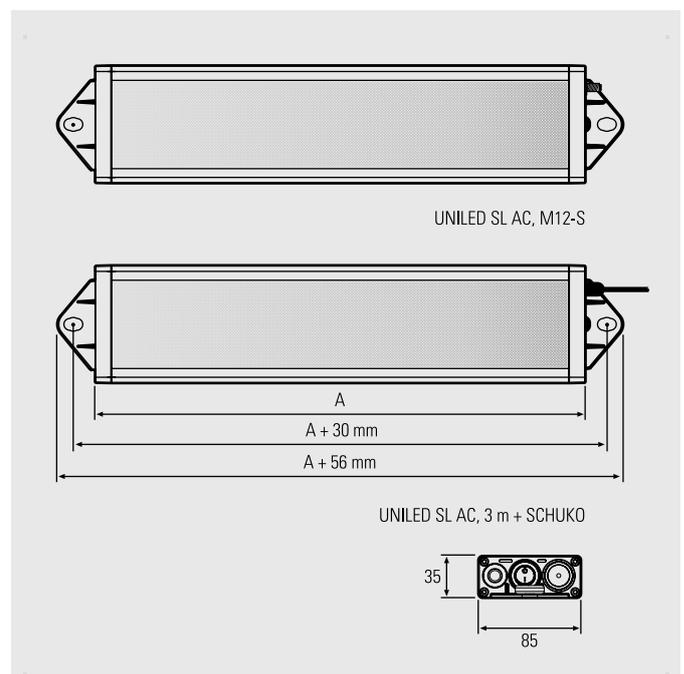
- Productive atmosphere thanks to daylight white 5,200-5,700K
- Homogeneous, low-shadow, glare-free illumination
- Very good colour rendering and contrast values

Areas of application ⁽¹⁾

- System workstations and for visual inspection workplaces
- Using in machines without coolant and chip bombardment
- Laboratory workplaces

Designs

- Variants with 230V AC mains connection via M12-S plug or a 3 m cable with SCHUKO plug
- 4 lengths: 295 mm, 545 mm, 1,045 mm, 1,545 mm





220 V / 240 V AC, IP50, ≥80, 5200K / 5700K, 50.000 h (L80/B10), +60 / -10, M12 [S], 3m, 36 months, Germany

UNILED SL AC, M12-S, 5200–5700K	Product no.	Length (A)	Optics	E_{max}^*	Lamp luminous flux	Output	Connection
UNILED SL AC, microprism covers	110914-41	295 mm	100°	357 lx	1030 lm	~8,5 W	220-240V AC M12 connector, S-type
UNILED SL AC, microprism covers	110914-42	545 mm	100°	649 lx	2060 lm	~17 W	220-240V AC M12 connector, S-type
UNILED SL AC, microprism covers	110914-43	1045 mm	100°	1224 lx	5120 lm	~34 W	220-240V AC M12 connector, S-type
UNILED SL AC, microprism covers	110914-44	1545 mm	100°	1567 lx	6180 lm	~51 W	220-240V AC M12 connector, S-type

UNILED SL AC, SCHUKO, 5200–5700K	Product no.	Length (A)	Optics	E_{max}^*	Lamp luminous flux	Output	Connection
UNILED SL AC, microprism covers	110914-61	295 mm	100°	357 lx	1030 lm	~8,5 W	220-240V AC 3 m cable and SCHUKO plug
UNILED SL AC, microprism covers	110914-62	545 mm	100°	649 lx	2060 lm	~17 W	220-240V AC 3 m cable and SCHUKO plug
UNILED SL AC, microprism covers	110914-63	1045 mm	100°	1224 lx	5120 lm	~34 W	220-240V AC 3 m cable and SCHUKO plug
UNILED SL AC, microprism covers	110914-64	1545 mm	100°	1567 lx	6180 lm	~51 W	220-240V AC 3 m cable and SCHUKO plug

Connection materials, see Accessories.

* maximum lighting intensities, measurement area 100 cm x 100 cm at 100 cm distance

Accessories	Product no.
UNILED joint angle, 1 pair	213200-02

