



UNILED SL AC Zugpendel (adjustable pull pendants) Height adjustable, flexible, bright

UNILED SL AC Zugpendel with adjustable pull pendants is a powerful ceiling light mounted on two height-adjustable rise and fall attachments with spiral cables for flexible workplace lighting. Handling is very easy: Once installed and connected to the ceiling, the LED light is pulled down or pushed up using the rise and fall attachment. Especially at smaller manual workstations or in the laboratory, it is popular to be able to adjust the illuminance as required by adjusting the height of the light.

The Technology

- Powerful LED technology with shatterproof micropism cover and 230V AC connection from the ceiling transfer point
- Ceiling suspension via height-adjustable pull pendants

Your benefits

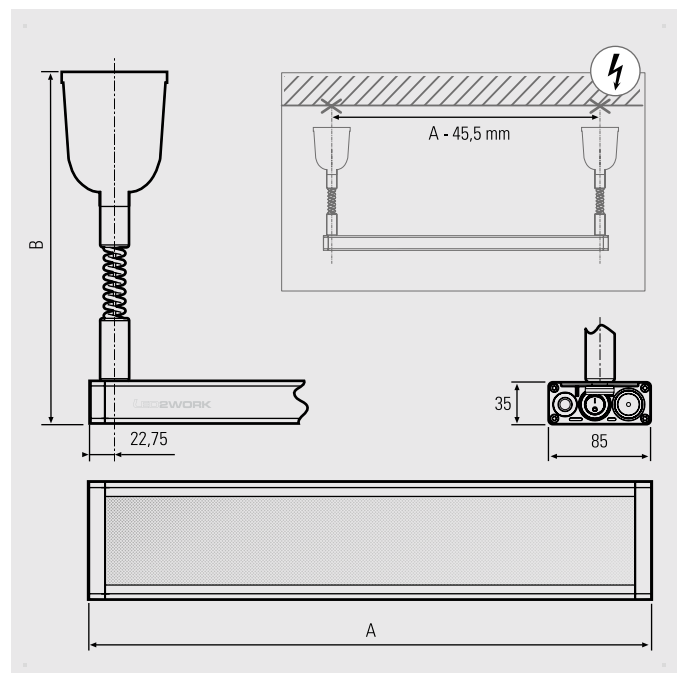
- Productive atmosphere thanks to daylight white
- Variable illuminance through height adjustment
- Homogeneous, low-shadow, glare-free illumination
- Very good colour rendering and contrast values

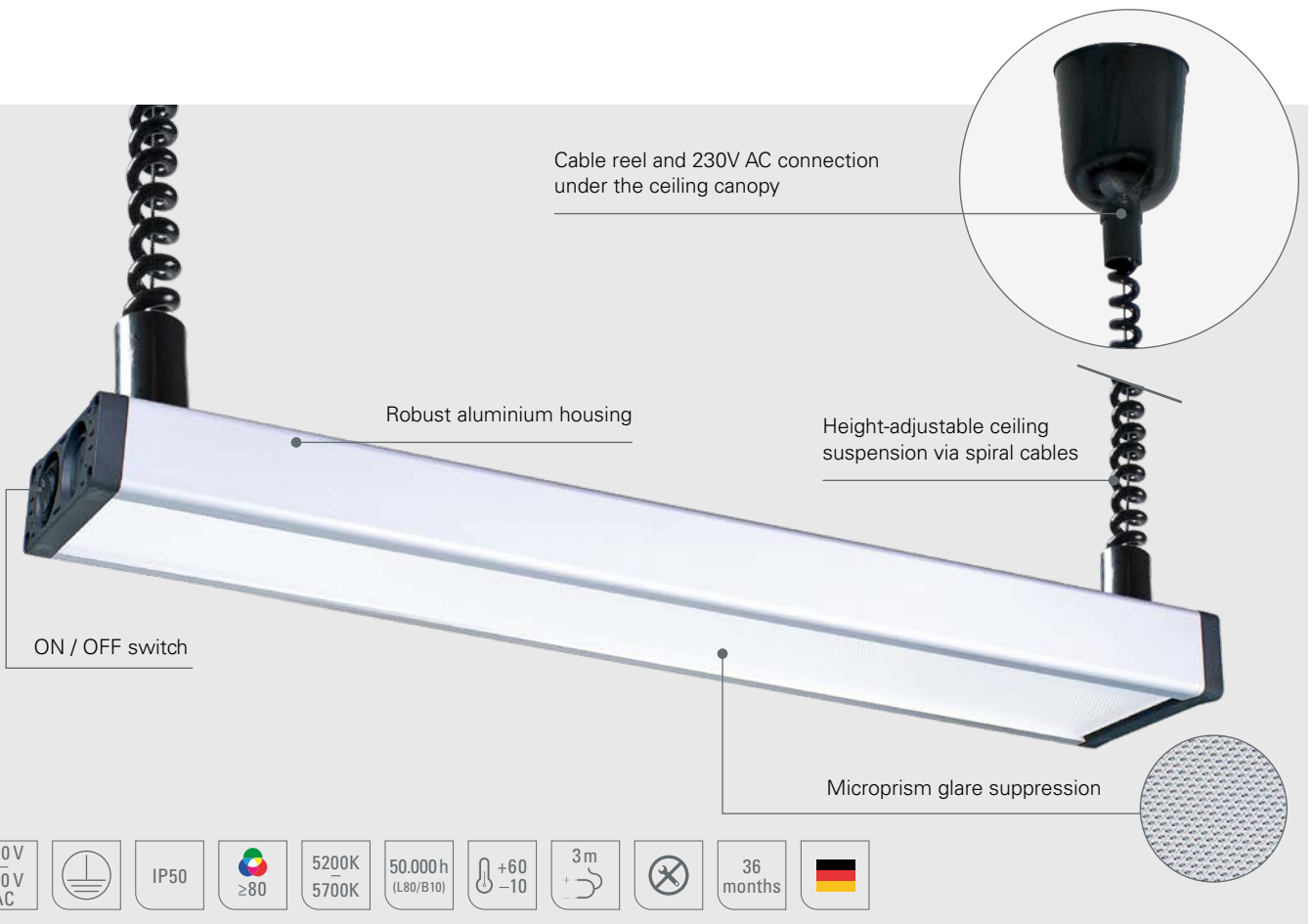
Areas of application ⁽¹⁾

- Assembly and manual workstations in the trade as well as the dental and jewellery industry
- Work and test stations in laboratories

Design

- 3 luminaire lengths: 570 mm, 1,070 mm, 1,570 mm
- Two extension ranges for the pull pendants: from 74 cm to 190 cm and from 34 cm to 130 cm





The intensity of the light in the work area can be varied easily by pulling and pushing the UNILED SL AC light via the pull pendants down or up. In addition to three lengths of the luminaire housing, you can also choose between two different rise and fall lengths of the adjustable pull pendants when choosing the LED light.

UNILED SL AC, adjustable pull pendants, 5200–5700K	Product no.	A	B	Optics	E _{max} *	Lamp luminous flux	Output	Connection
UNILED SL AC, adjustable pull pendants, microprismatic cover	110914-82	570 mm	~740... 1900 mm	100°	649 lx	2060 lm	~17 W	220-240V AC
UNILED SL AC, adjustable pull pendants, microprismatic cover	110914-83	1070 mm	~740... 1900 mm	100°	1224 lx	5120 lm	~34 W	220-240V AC
UNILED SL AC, adjustable pull pendants, microprismatic cover	110914-84	1570 mm	~740... 1900 mm	100°	1567 lx	6180 lm	~51 W	220-240V AC

UNILED SL AC, adjustable pull pendants, 5200–5700K	Product no.	A	B	Optics	E _{max} *	Lamp luminous flux	Output	Connection
UNILED SL AC, adjustable pull pendants, microprismatic cover	110914-85	570 mm	~340... 1300 mm	100°	649 lx	2060 lm	~17 W	220-240V AC
UNILED SL AC, adjustable pull pendants, microprismatic cover	110914-86	1070 mm	~340... 1300 mm	100°	1224 lx	5120 lm	~34 W	220-240V AC
UNILED SL AC, adjustable pull pendants, microprismatic cover	110914-87	1570 mm	~340... 1300 mm	100°	1567 lx	6180 lm	~51 W	220-240V AC

maximum lighting intensities, measurement area 100 cm x 100 cm at 100 cm distance