



## CENALED SPOT Gelenkkopf (swivel head)

Shadow-free, object accuracy, movable

With the CENALED SPOT variant with swivel head, every workplace can be illuminated quickly and easily. Its fastening, either stationary via the screw-on base or flexible via accessories such as magnetic clamps or table clamps, allows focused illumination of work areas in machine tools and equipment. It does not matter whether it is a simple application or use under harsh production conditions. The CENALED SPOT series is optimally protected with IP65 or IP67.

### The technology

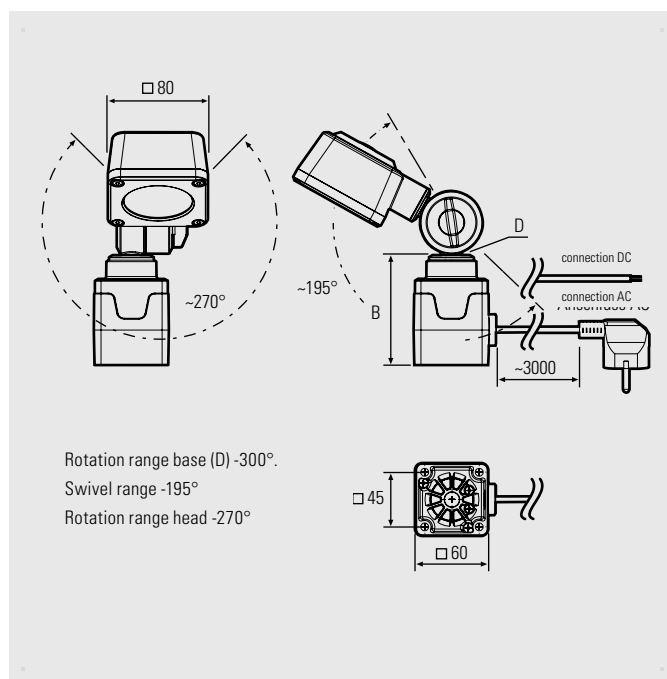
- High-performance LED chips for 5,000K neutral white
- On / off and dimmable using buttons on the lamp head
- It is also supplied in a 24V DC version or in a version for direct connection to 100-305V AC, each with a 3 m lead

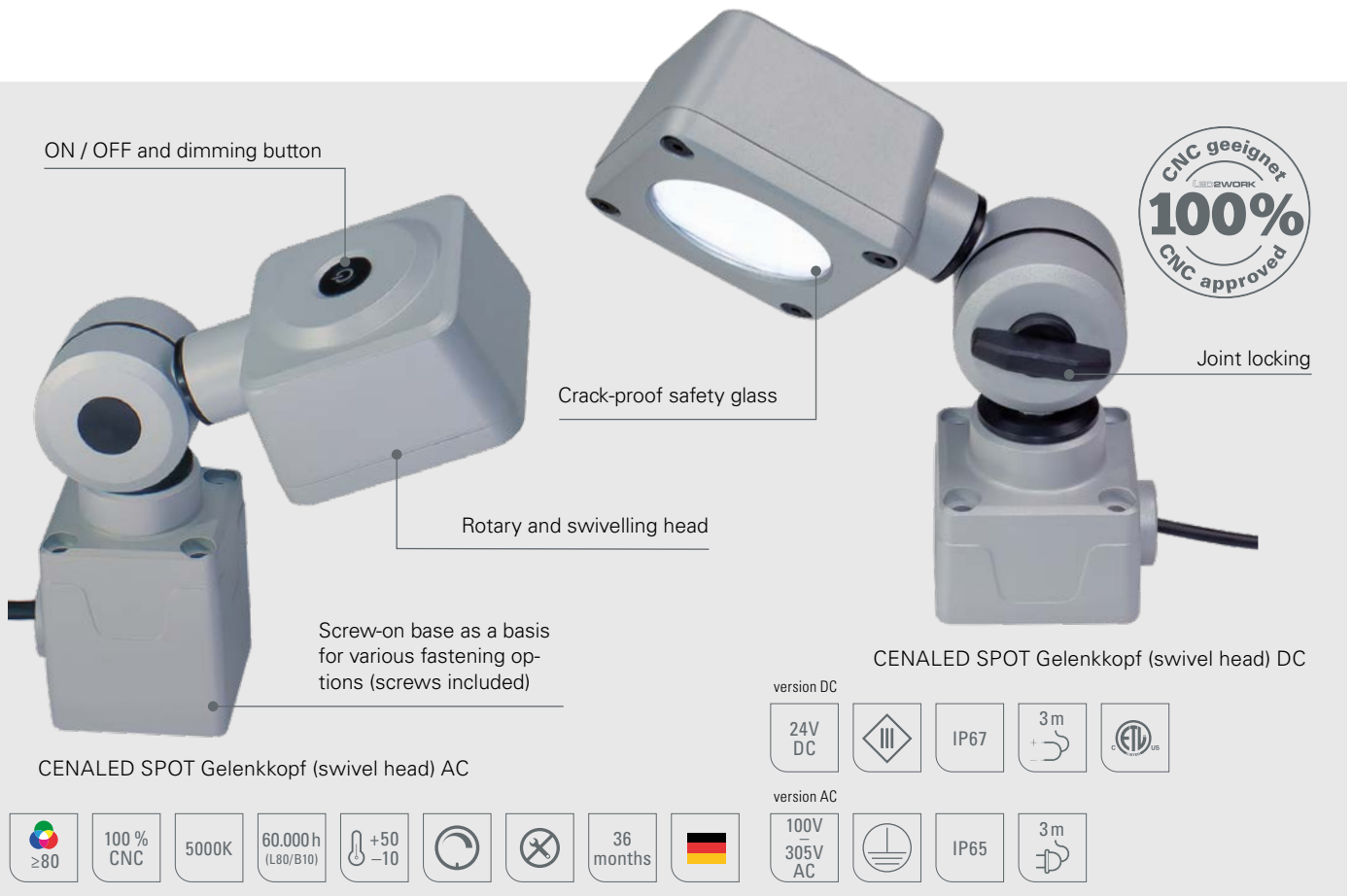
### Your benefits

- Compact lights for bright illumination in neutral white and with a high level of detailed sharpness
- If necessary, the head can be brought into almost any position via the head and base joint and the light can be directed to the object in question
- 30° beam angle for focused illumination

### Areas of application

- Work areas of machines such as drilling machines, machine tools or injection moulding machines
- Areas in industry and in plants where focused light is needed





| CENALED SPOT Gelenkkopf (swivel head)     | Product no. | Base (B) | Optics | E <sub>max</sub> * | Lamp luminous flux | Output | Connection  |
|---|-------------|----------|--------|--------------------|--------------------|--------|-------------|
| CENALED SPOT Gelenkkopf DC, screw-on base | 121012-03   | 59 mm    | 30°    | 9212 lx            | 1120 lm            | ~8,5 W | 24V DC      |
| CENALED SPOT Gelenkkopf AC, screw-on base | 121012-13   | 88 mm    | 30°    | 9212 lx            | 1120 lm            | ~9 W   | 100-305V AC |

Connection materials or power supply units, see Accessories.

\* maximum lighting intensities, measurement area 100 cm x 100 cm at 100 cm distance

The CENALED SPOT is part of the CENALED modular system. The basic module of every light is the screw-on base for a 24V DC or 100-305V AC connection. The modular structure is supplemented with an articulated arm, flexible arm or a directly mounted swivel head. The lamp head has an on/off switch and brightness control (dimming). The screw-on base allows several fastening options, for example using a magnetic clamp or a table clamp.

| Accessories                              | Product no. |
|--|-------------|
| Holding magnet for CENALED screw-on base | 220500-01   |
| Table clamp for CENALED screw-on base    | 220500-02   |
| Wall bracket for CENALED screw-on base   | 220500-03   |

