



**NEW** **FIELDLED EVO**  
Inconspicuous, but bright and indestructible

The recessed FIELDLED EVO is the perfect machine light thanks to its precise-fit installation and powerful illumination. It was developed for harsh production environments and remains completely untroubled by chips, oil and emulsions. The safety glass is glued to the aluminium housing. An additional oil-resistant seal encloses the installation frame against the machine housing. Even in its recessed variant, the FIELDLED EVO comes with the highest protection rating and is utterly indestructible.

**Technology**

- Compact LED array on the inside – extremely powerful
- Flat mounted installation
- Single-pane safety glass with microprismatic glare control underneath
- Heat is dissipated to the rear via the aluminium body to prevent any coolant burning on the light-emitting surface
- IP67/IP69K protection rating

**Your benefits**

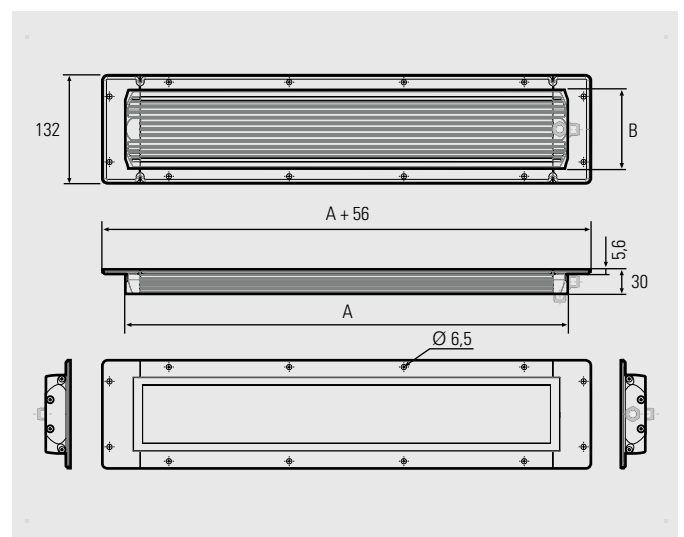
- Continuous light output
- Light forming technology and microprisms for improved light diffusion
- Wide beam, homogeneous illumination, flicker-free
- Without UV or IR component

**Areas of application**

- Large-volume machines and installations
- CNC machines, machine tools
- Surface grinding machines, milling machines

**Designs**

- 4 lengths available: 280 mm, 540 mm, 790 mm, 1040 mm
- 2 variants per length: Connection at the front or the rear





24V DC    III    IP67/IP69K    100% CNC    ≥85    5200K-5700K    60.000h (L80/B10)    M12    +60/-30    ACCESSORY    ENEC    36 months    Germany

FIELDLED EVO recessed, 5200–5700K	Product no.	Length (A)	Width (B)	Optics	Lamp luminous flux	Output	Connection
FIELDLED EVO 280_96 recessed, M12-A at the front	153010-11	280 mm	96 mm	100°	3000 lm	~19 W	24V DC
FIELDLED EVO 280_96 recessed, M12-A at the back	153010-12	280 mm	96 mm	100°	3000 lm	~19 W	24V DC
FIELDLED EVO 540_96 Einbau, M12-A stirnseitig	153110-11	540 mm	96 mm	100°	6000 lm	~39 W	24V DC
FIELDLED EVO 540_96 Einbau, M12-A rückseitig	153110-12	540 mm	96 mm	100°	6000 lm	~39 W	24V DC
FIELDLED EVO 790_96 Einbau, M12-A stirnseitig	153210-11	790 mm	96 mm	100°	9000 lm	~58 W	24V DC
FIELDLED EVO 790_96 Einbau, M12-A rückseitig	153210-12	790 mm	96 mm	100°	9000 lm	~58 W	24V DC
FIELDLED EVO 1040_96 Einbau, M12-A stirnseitig	153310-11	1040 mm	96 mm	100°	12000 lm	~78 W	24V DC
FIELDLED EVO 1040_96 Einbau, M12-A rückseitig	153310-12	1040 mm	96 mm	100°	12000 lm	~78 W	24V DC

For power supply units, dimmer boxes and connection elements, see accessories

For maximum illumination intensity values  $E_{max}$ , see the data sheets

