



TUBELED_40 II

Strikingly inconspicuous, varied

Narrow installation space with harsh production conditions and temperatures of up to +70 °C – the machinery LED light TUBELED_40 II can deal with that like no other. With a luminaire diameter of just 40 mm and seven available lengths, the slim LED light is truly an all-rounder: robust and bright, it enhances the value of every machine.

The Technology

- Heat dissipation using aluminium extruded profile to the rear – no burn-in of coolant
- Safety glass cover, crack-proof, 4 mm thick
- Light Forming Technology
- Oil-resistant seals (FKM seal Viton®)
- Machine room lighting – chip bombardment-proof, vibration and shock resistant – 100% CNC suitable

Your benefits

- Easy and quick retrofitting of machines
- Optimum lighting through 100° surface light
- Flicker-free without UV and IR components
- High degree of protection IP67/IP69K
- Electrically interlinkable (cascadable)
- Can be used in ambient temperatures up to +70 °C
- ON/OFF interface: load-free switching, flashing and dimming possible

Areas of application

- Micro-precision machines, eroding machines, punching automation
- Wherever tight installation conditions prevail

Designs/installation

- 7 lengths: 190 mm, 280 mm, 365 mm, 540 mm, 715 mm, 1040 mm, 1540 mm
- Luminous flux-optimized Power version and performance-optimized ECO version:
 - Power version for larger distances and high light requirements
 - ECO version for high ambient temperatures – price-performance ratio winner
- Variants for electrical interlinking (cascadable)
- Mounting via separately available mounting accessories

Safety glass 4 mm with opal white glare suppression

Space-saving geometry

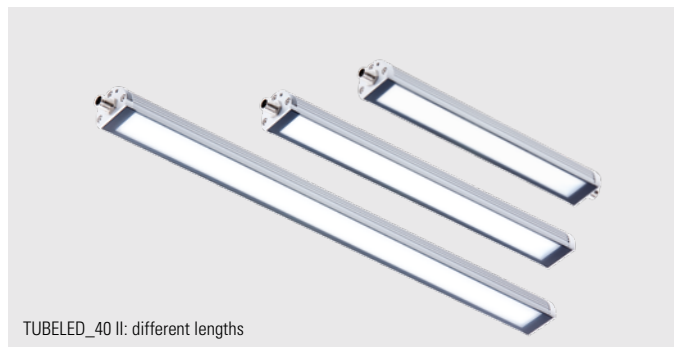
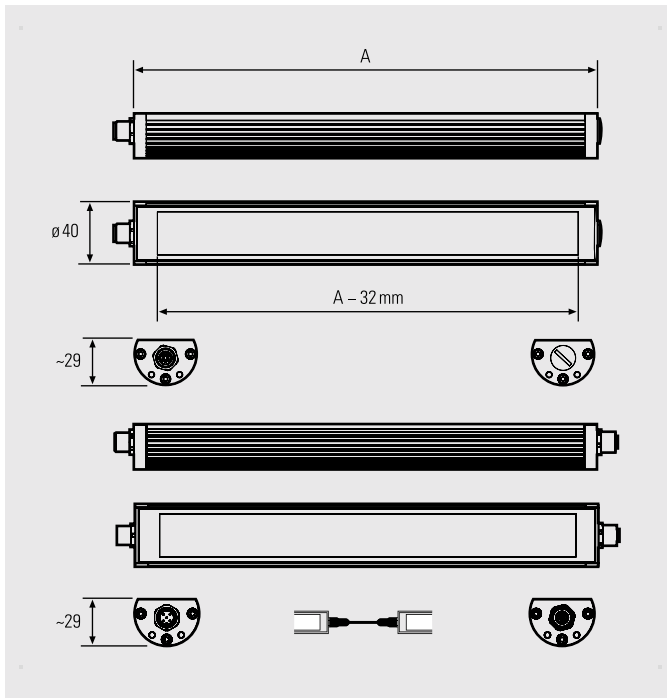
Liquid-tight and temperature-resistant

Robust aluminium housing

ET ERHÖHT TEMPERATURBESTÄNDIG ENHANCED TEMPERATURE RESISTANT

CNC geeignet 100% CNC approved

24V DC	III	IP67/ IP69K	100 % CNC	≥85	5200K - 5700K	60.000 h (L80/B10)	M12	version POWER +60 -30	version ECO +70 -30	ACCESSORY	⊗	ETL US	36 months	Germany
--------	-----	-------------	-----------	-----	---------------	--------------------	-----	-----------------------	---------------------	-----------	---	--------	-----------	---------



Surface mounted lights | TUBELED_40 II

TUBELED_40 II	Product no.	Length (A)	Optics	E _{max} *	Lamp luminous flux	Output	Connection
TUBELED_40 II Power	118010-01	190 mm	100°	415 lx	1078 lm	~8 W	24V DC
TUBELED_40 II Power	118110-01	280 mm	100°	617 lx	1617 lm	~12 W	24V DC
TUBELED_40 II Power	118210-01	365 mm	100°	815 lx	2139 lm	~16 W	24V DC
TUBELED_40 II Power	118310-01	540 mm	100°	1184 lx	3217 lm	~24 W	24V DC
TUBELED_40 II Power	118410-01	715 mm	100°	1514 lx	4278 lm	~32 W	24V DC
TUBELED_40 II Power	118510-01	1040 mm	100°	2049 lx	6417 lm	~48 W	24V DC
TUBELED_40 II Power	118610-01	1540 mm	100°	2553 lx	9634 lm	~72 W	24V DC
TUBELED_40 II ECO	118010-02	190 mm	100°	250 lx	630 lm	~4 W	24V DC
TUBELED_40 II ECO	118110-02	280 mm	100°	371 lx	945 lm	~6 W	24V DC
TUBELED_40 II ECO	118210-02	365 mm	100°	489 lx	1260 lm	~8,5 W	24V DC
TUBELED_40 II ECO	118310-02	540 mm	100°	711 lx	1890 lm	~13 W	24V DC
TUBELED_40 II ECO	118410-02	715 mm	100°	909 lx	2520 lm	~17 W	24V DC
TUBELED_40 II ECO	118510-02	1040 mm	100°	1233 lx	3780 lm	~24 W	24V DC
TUBELED_40 II ECO	118610-02	1540 mm	100°	1539 lx	5670 lm	~38 W	24V DC

TUBELED_40 II, cascadable	Product no.	Length (A)	Optics	E _{max} *	Lamp luminous flux	Output	Connection
TUBELED_40 II Power, cascadable	118010-11	190 mm	100°	415 lx	1078 lm	~8 W	24V DC
TUBELED_40 II Power, cascadable	118110-11	280 mm	100°	617 lx	1617 lm	~12 W	24V DC
TUBELED_40 II Power, cascadable	118210-11	365 mm	100°	815 lx	2139 lm	~16 W	24V DC
TUBELED_40 II Power, cascadable	118310-11	540 mm	100°	1184 lx	3217 lm	~24 W	24V DC
TUBELED_40 II Power, cascadable	118410-11	715 mm	100°	1514 lx	4278 lm	~32 W	24V DC
TUBELED_40 II Power, cascadable	118510-11	1040 mm	100°	2049 lx	6417 lm	~48 W	24V DC
TUBELED_40 II Power, cascadable	118610-11	1540 mm	100°	2553 lx	9634 lm	~72 W	24V DC
TUBELED_40 II ECO, cascadable	118010-12	190 mm	100°	250 lx	630 lm	~4 W	24V DC
TUBELED_40 II ECO, cascadable	118110-12	280 mm	100°	371 lx	945 lm	~6 W	24V DC
TUBELED_40 II ECO, cascadable	118210-12	365 mm	100°	489 lx	1260 lm	~8,5 W	24V DC
TUBELED_40 II ECO, cascadable	118310-12	540 mm	100°	711 lx	1890 lm	~13 W	24V DC
TUBELED_40 II ECO, cascadable	118410-12	715 mm	100°	909 lx	2520 lm	~17 W	24V DC
TUBELED_40 II ECO, cascadable	118510-12	1040 mm	100°	1233 lx	3780 lm	~24 W	24V DC
TUBELED_40 II ECO, cascadable	118610-12	1540 mm	100°	1539 lx	5670 lm	~38 W	24V DC

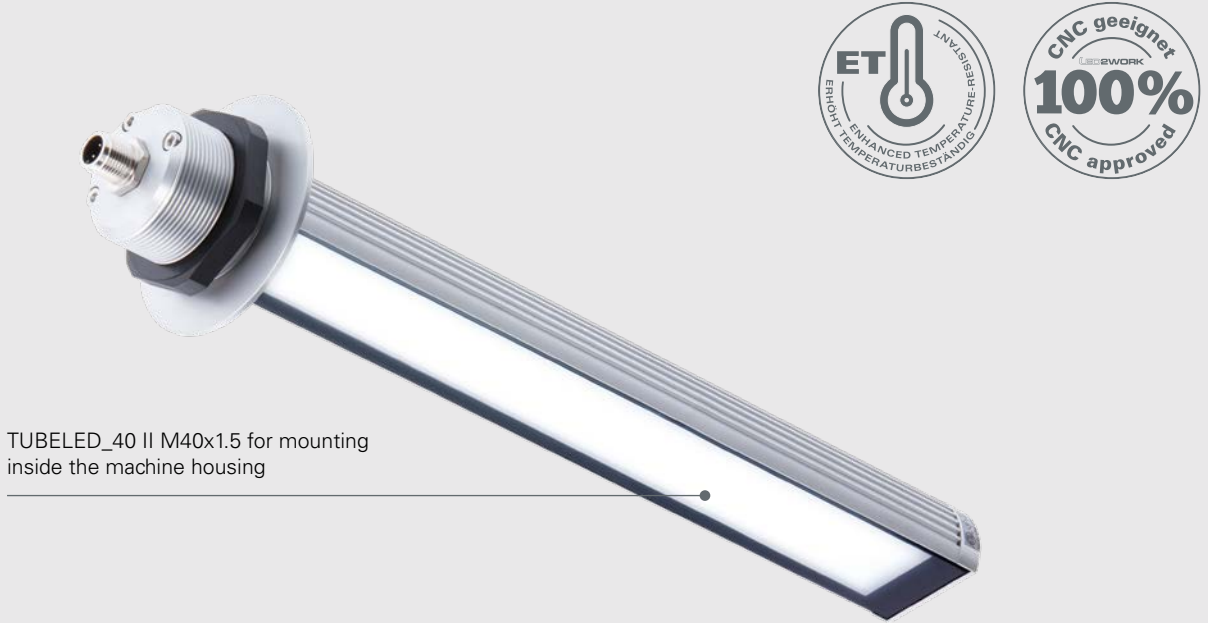
Power supply units, dimmboxes and connection materials, see Accessories.

* maximum lighting intensities, measurement area 100 cm x 100 cm at 100 cm distance

With feed-through wiring (cascadable) several lights can be electrically interlinked. The entire power consumption may not exceed 8A DC at t_a max. + 30°C or 7A DC at t_a max. + 40°C.

Accessories	Product no.
Luminaire holder, aluminium, 1 pair	210200-06
Mounting bracket, VA, 1 pair, (LED light is infinitely adjustable by 111° in its rotation axis)	210200-11
Mounting bracket, VA, 1 pair, incl. magnet (LED light is infinitely adjustable by 111° in its rotation axis)	210200-12
Luminaire holder, VA, 1 pair, adjustable +/- 180°	210200-14





TUBELED_40 II M40x1.5 for mounting inside the machine housing

24V DC	III	IP67/ IP69K	100 % CNC	≥85	5200K - 5700K	60.000 h (L80/B10)	M12	version POWER +60 -30	version ECO +70 -30	ACCESSORY	ETL US	36 months	Germany
--------	-----	----------------	--------------	-----	---------------------	-----------------------	-----	--------------------------------	------------------------------	-----------	--------	-----------	---------

TUBELED_40 II M40x1,5	Product no.	Length (A)	Optics	E _{max} *	Lamp luminous flux	Output	Connection
TUBELED_40 II M40x1,5 Power	118110-03	309 mm	100°	617 lx	1617 lm	-12 W	24V DC
TUBELED_40 II M40x1,5 ECO	118110-04	309 mm	100°	371 lx	945 lm	-6 W	24V DC

Power supply units, dimmboxes and connection materials, see Accessories.

* maximum lighting intensities, measurement area 100 cm x 100 cm at 100 cm distance

