



TUBELED_40 Element

As simple as possible, but not simpler

The TUBELED_40 Element is the LED light for everyone who doesn't necessarily need the strong protection of a TUBELED_40 II. The slim industrial light with protection class IP54 is still sufficiently protected to be able to sufficiently illuminate work areas of machines, lines and systems without coolant and chip bombardment. In addition, there is a variant for electrical interlinking and, in addition to the 24V DC version, there is also a version with a 230V AC connection.

The Technology

- Slim light body made of extruded aluminium profile with black plastic end caps and sealed PMMA cover

Your benefits

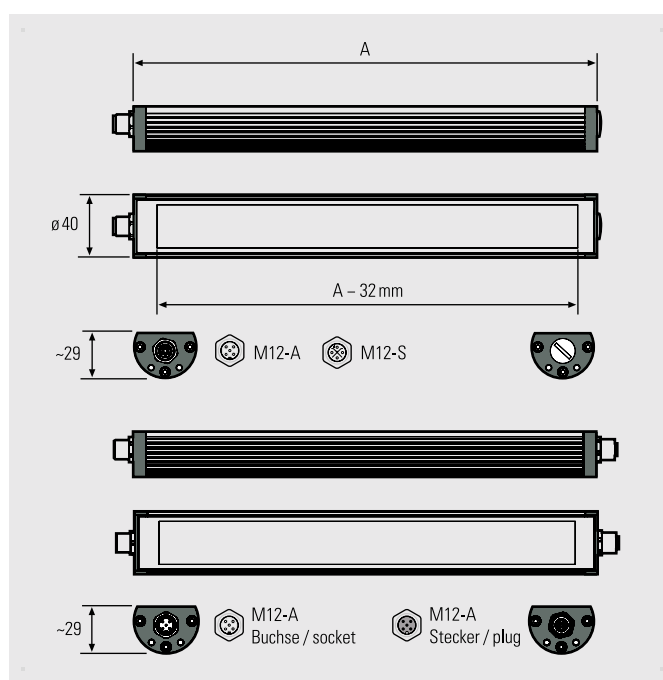
- Flicker-free and performance-optimized surface light, without UV and IR components
- Daylight white
- Can be linked electrically (cascadable)

Areas of application

- Metal or woodworking as well as plastics processing
- Equipment for assembly and packaging

Designs

- Available in 7 lengths
- Variants for electrical interlinking (cascadable)
- Connection variants: 24V DC, 24V DC cascadable or 220-240V AC, each with M12 plug connections





TUBELED_40 Element DC, 5200–5700K	Product no.	Length (A)	Optics	E_{max}^*	Lamp luminous flux	Output	Connection
TUBELED_40 Element	119010-02	190 mm	100°	219 lx	630 lm	~4 W	24V DC
TUBELED_40 Element	119110-02	280 mm	100°	325 lx	945 lm	~6 W	24V DC
TUBELED_40 Element	119210-02	365 mm	100°	428 lx	1260 lm	~8,5 W	24V DC
TUBELED_40 Element	119310-02	540 mm	100°	623 lx	1890 lm	~13 W	24V DC
TUBELED_40 Element	119410-02	715 mm	100°	796 lx	2520 lm	~17 W	24V DC
TUBELED_40 Element	119510-02	1040 mm	100°	1080 lx	3780 lm	~24 W	24V DC
TUBELED_40 Element	119610-02	1540 mm	100°	1348 lx	5670 lm	~37 W	24V DC
TUBELED_40 Element, cascadable	119010-12	190 mm	100°	219 lx	630 lm	~4 W	24V DC
TUBELED_40 Element, cascadable	119110-12	280 mm	100°	325 lx	945 lm	~6 W	24V DC
TUBELED_40 Element, cascadable	119210-12	365 mm	100°	428 lx	1260 lm	~8,5 W	24V DC
TUBELED_40 Element, cascadable	119310-12	540 mm	100°	623 lx	1890 lm	~13 W	24V DC
TUBELED_40 Element, cascadable	119410-12	715 mm	100°	796 lx	2520 lm	~17 W	24V DC
TUBELED_40 Element, cascadable	119510-12	1040 mm	100°	1080 lx	3780 lm	~24 W	24V DC
TUBELED_40 Element, cascadable	119610-12	1540 mm	100°	1348 lx	5670 lm	~37 W	24V DC

With feed-through wiring (cascadable) several lights can be electrically interlinked. The entire power consumption may not exceed 4A DC at t_a max. + 40° C.

TUBELED_40 Element AC, 5200–5700K	Product no.	Length (A)	Optics	E_{max}^*	Lamp luminous flux	Output	Connection
TUBELED_40 Element AC	119110-03	280 mm	100°	262 lx	1030 lm	~8,5 W	220-240V AC
TUBELED_40 Element AC	119310-03	540 mm	100°	502 lx	2060 lm	~17 W	220-240V AC
TUBELED_40 Element AC	119510-03	1040 mm	100°	957 lx	5120 lm	~34 W	220-240V AC
TUBELED_40 Element AC	119610-03	1540 mm	100°	1194 lx	6180 lm	~51 W	220-240V AC

Power supply units and connection materials, see Accessories | Fastening accessories for TUBELED_40 Element can be found at TUBELED_40 II

* maximum lighting intensities, area 100 cm x 100 cm at 100 cm distance