



SIGNALED II RGB

Eine Deleclataplatt Farblichter Information

The SIGNALED II RGB is a pure signal light that emits a uniformly coloured light over the entire surface. The LED light uses coloured light to signalize attention and safety notices that are visible from afar. Depending on the control and the desired signal effect, all colour tones of the RGB colour space can be selected. The LED signal light has IP54 protection class and can be used in almost every machine without cooling lubricants and chip bombardment.

The Technology

- RGB technology for coloured light: Control of the LED chips is ensured via by the PLC control of a machine or system
- Opal white cover, break and splinter-free

Your benefits

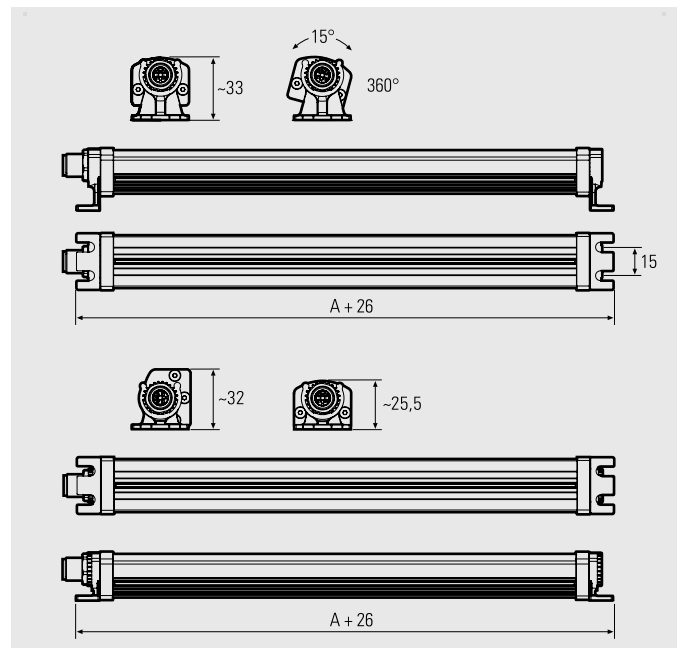
- All colours from the RGB colour spectrum can be selected for signalling
- Coloured light can signal different states of machines and equipment

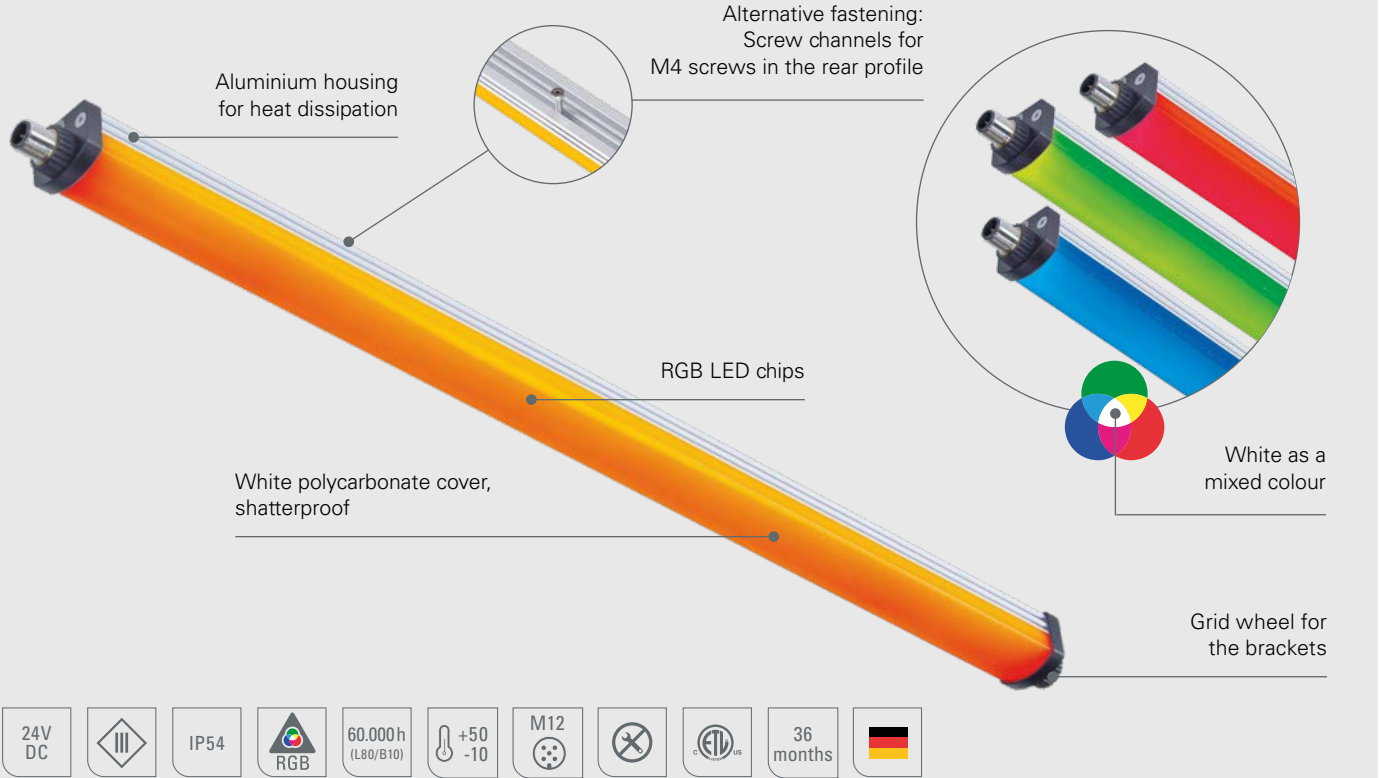
Areas of application

- As a signal function for machines and equipment without chip bombardment or KSS and with very little space
- Bending machines, automatic punching machines, conveyor belts, logistics workstations and automation

Designs

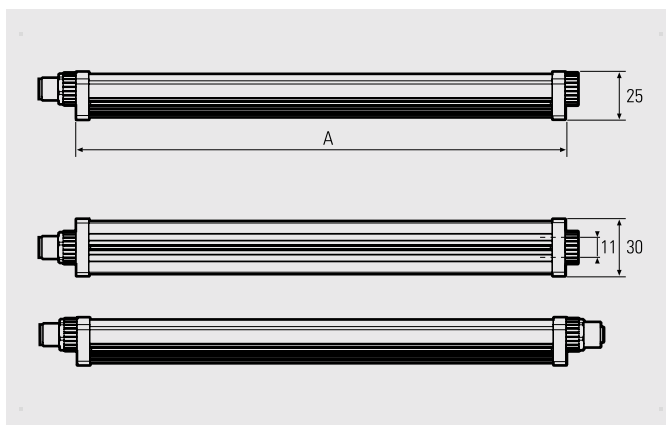
- 7 lengths: 180 mm, 260 mm, 350 mm, 520 mm, 760 mm, 1020 mm, 1520 mm





SIGNALLED II RGB	Product no.	Length (A)	Optics	Lamp luminous flux			Output			Connection
				[R]	[G]	[B]	[R]	[G]	[B]	
SIGNALLED II RGB	111090-11	180 mm	120°	39 lm	18 lm	61 lm	~1,8 W	~1,8 W	~1,8 W	24V DC
SIGNALLED II RGB	111090-12	260 mm	120°	59 lm	27 lm	93 lm	~2,6 W	~2,6 W	~2,6 W	24V DC
SIGNALLED II RGB	111090-13	350 mm	120°	98 lm	45 lm	154 lm	~4,4 W	~4,4 W	~4,4 W	24V DC
SIGNALLED II RGB	111090-14	520 mm	120°	118 lm	54 lm	186 lm	~5,3 W	~5,3 W	~5,3 W	24V DC
SIGNALLED II RGB	111090-15	760 mm	120°	177 lm	81 lm	279 lm	~7,9 W	~7,9 W	~7,9 W	24V DC
SIGNALLED II RGB	111090-16	1020 mm	120°	236 lm	108 lm	372 lm	~10,6 W	~10,6 W	~10,6 W	24V DC
SIGNALLED II RGB	111090-17	1520 mm	120°	354 lm	162 lm	558 lm	~15,8 W	~15,8 W	~15,8 W	24V DC

Power supply and connection materials, see Accessories.
 Delivery incl. 2 pairs of plastic lamp holders for planar or rotatable mounting



Accessories	Product no.
Spring clip, galvanized steel, 1 pair	210200-07
Spring clip with a magnet, 1 pair	210200-08
Luminaire holder set (spare part), 1 pair planar, 1 pair rotatable	210200-18

