



## TUBELED\_40 II RGB-W

Highly resistant, capable of signalling, bright

White LED chips for optimum illumination and RGB LED chips for colour changes in a light – that's the TUBELED\_40 II RGB-W. With a diameter of 40 mm and its compact design, this light is the preferred choice where space is at a premium and production environments are harsh. But this is not the only application for the machine light: Every production area can be ideally illuminated and changes in the status of machines and plants can be signalled in colour.

### The Technology

- White light and RGB LED chips in one light
- RGB LED chips can signal different states of machines and plants by changing colours
- Control of the LED chips by the machine or plant PLC control
- Crack-resistant TSG (tempered safety glass) 4 mm

### Your benefits

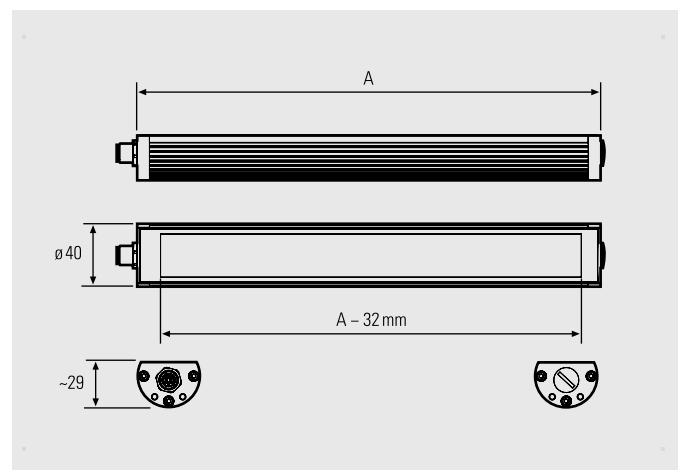
- Flicker-free, homogeneous lighting without UV and IR components as well as a signal function via freely definable colours or flashing intervals
- Simple upgrading or retrofitting in tool machines
- Optimum lighting through 100° surface light
- Oil and coolant-resistant, chip bombardment-proof

### Areas of application

- Machine tools and CNC machines
- Injection moulding, eroding machines, punching automation
- Production and manufacturing areas with tight space

### Designs/installation

- 4 lengths: 260 mm, 540 mm, 1040 mm, 1540 mm
- Installation via optional brackets or existing brackets, with 1:1 exchange of conventional, standardised lighting





- 
- 
- 
- 
- 
- 
- 
- 
- 
- 
- 
- 
- 
- 

TUBELED_40 II RGB-W Power 5200–5700K + RGB	Product no.	Length (A)	Optics	E <sub>max</sub> * [W]	Lamp luminous flux [W]	Output				Connection
						[R]	[G]	[B]	[W]	
TUBELED_40 II RGB-W Power	118190-01	280 mm	100°	324 lx	1215 lm	~9 W	~2,5 W	~9 W	~9,5 W	24V DC
TUBELED_40 II RGB-W Power	118390-01	540 mm	100°	607 lx	2430 lm	~18 W	~5 W	~18 W	~19 W	24V DC
TUBELED_40 II RGB-W Power	118590-01	1040 mm	100°	1078 lx	4860 lm	~36 W	~10 W	~36 W	~38 W	24V DC
TUBELED_40 II RGB-W Power	118690-01	1540 mm	100°	1346 lx	7290 lm	~54 W	~15 W	~54 W	~57 W	24V DC

TUBELED_40 II RGB-W ECO 5200–5700K + RGB	Product no.	Length (A)	Optics	E <sub>max</sub> * [W]	Lamp luminous flux [W]	Output				Connection
						[R]	[G]	[B]	[W]	
TUBELED_40 II RGB-W ECO	118190-02	280 mm	100°	282 lx	945 lm	~2,64 W	~2,64 W	~2,64 W	~6 W	24V DC
TUBELED_40 II RGB-W ECO	118390-02	540 mm	100°	540 lx	1890 lm	~5,28 W	~5,28 W	~5,28 W	~13 W	24V DC
TUBELED_40 II RGB-W ECO	118590-02	1040 mm	100°	962 lx	3780 lm	~10,6 W	~10,6 W	~10,6 W	~24 W	24V DC
TUBELED_40 II RGB-W ECO	118690-02	1540 mm	100°	1201 lx	5670 lm	~15,8 W	~15,8 W	~15,8 W	~38 W	24V DC

Power supply and connection materials, see Accessories.

\* maximum lighting intensities, measurement area 100 cm x 100 cm at 100 cm distance



210200-06



210200-11



210200-12



210200-14

Luminaire holders as accessory	Product no.	Luminaire holders as accessory	Product no.
Luminaire holder, aluminium, 1 pair	210200-06	Luminaire holder, V2A angle pivotable incl. magnet, 1 pair	210200-12
Luminaire holder, V2A angle pivotable mounting, 1 pair	210200-11	Luminaire holder, VA, 1 pair, adjustable +/- 180°	210200-14